

# TNU-6320

2M Positioning Camera

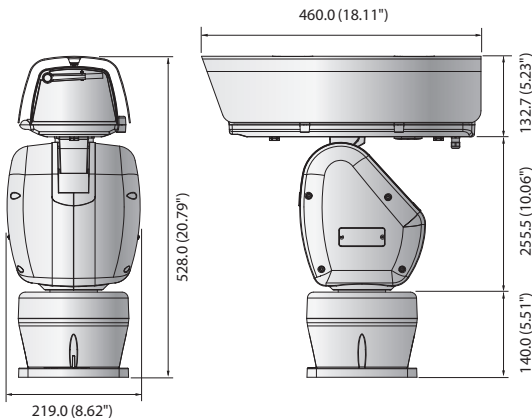


## Key Features

- Max. 2 megapixel (1920 x 1080) resolution
- 4.44 ~ 142.6mm (32x) varifocal lens
- Max. 60fps@2M (H.264), Max. 15fps@2M (MJPEG)
- H.264, MJPEG codec support
- Day & Night (ICR), WDR (120dB), Defog
- Tampering, Virtual line, Enter / Exit, (Dis)Appear, Face detection, Motion detection
- SD / SDHC / SDXC slot

## Dimensions

Unit : mm (inch)



## Accessories (Optional)



SPI-50(Optional)

## TNU-6320

<b>VIDEO</b>	
Imaging Device	1/2.8" 2.38M CMOS
Total Pixels	1,952(H) x 1,116(V), 2.18M
Effective Pixels	1,944(H) x 1,104(V), 2.14M
Scanning System	Progressive
Min. Illumination	Color : 0.3Lux (1/30sec, F1.6, 50IRE), B/W : 0.03Lux (1/30sec, F1.6, 50IRE)
S / N Ratio	50dB
Video Out	CVBS : 1.0Vp-p / 75Ω composite, 720x480(N), 720x576(P), for installation
<b>LENS</b>	
Focal Length (Zoom Ratio)	4.44 ~ 142.6mm (Optical 32x)
Max. Aperture Ratio	F1.6(Wide) / F4.4(Tele)
Angular Field of View	H : 62.8°(Wide) ~ 2.23°(Tele) / V : 36.8°(Wide) ~ 1.26°(Tele)
Min. Object Distance	Wide : 1.5m (4.92ft)
Focus Control	Auto / Manual / One push
Lens / Mount Type	DC Auto Iris / Board-in Type
<b>PAN / TILT / ROTATE</b>	
Pan / Tilt Range	360° Endless / -90° ~ 40°
Pan / Tilt Speed	0.036°~1.20°/sec, 0.012°~40°/sec
Sequence	Preset (255ea), Swing, Group (6ea), Trace, Tour (1ea), Auto run, Schedule
Preset Accuracy	±0.3°
Azimuth	Yes (E / W / S / N / NE / NW / SE / SW)
<b>OPERATIONAL</b>	
Camera Title	Off / On (Displayed up to 45 characters)
Day & Night	Auto (ICR) / Color / B/W / Schedule
Backlight Compensation	Off / BLC
Wide Dynamic Range	120dB
Contrast Enhancement	SSDR (Off / On)
Digital Noise Reduction	SSNR III (2D + 3D Noise filter) (Off / On)
Digital Image Stabilization	Off / On
Defog	Off / Auto / Manual
Motion Detection	Off / On (4zones with 4 points of Polygonal)
Gain Control	Off / Low / Middle / High
White Balance	ATW / AWC / Manual / Indoor / Outdoor / Mercury
Electronic Shutter Speed	Minimum / Maximum / Anti flicker (2 ~ 1/12,000sec)
Digital Zoom	16x
Flip / Mirror	Off / On
Intelligent video analytics	Tampering, Virtual line, Enter / Exit, (Dis)Appear, Face detection
Alarm I/O	Input 1ea / Output 1ea (Relay)
Audio In	Selectable (Mic in / Line in), Max output level: 1 Vrms Supply voltage: 2.5VDC(4mA), Input impedance : approx. 2K Ohm
Audio Out	Line out (Mono)
Alarm Triggers	Motion detection, Tampering, Audio detection, Face detection, Video analytics, Alarm input, Network disconnection
Alarm Events	File upload via FTP and E-mail, Notification via E-mail, TCP and HTTP local storage(SD/SDHC/SDXC) recording at Network disconnected & Event (Alarm Triggers), External output, Preset
IR Illuminator (Optional)	Compatible with Varifocal IR illuminator
Wiper	support
<b>NETWORK</b>	
Ethernet	RJ-45 (10/100 BASE-T)
Video Compression Format	H.264 (MPEG-4 Part 10/AVC), Motion JPEG
Resolution	1920x1080, 1280x1024, 1280x960, 1280x720, 1024x768, 800x600, 800x450, 720x576, 640x480, 640x360, 320x240, 320x180
Max. Framerate	H.264 : Max. 60fps at all resolutions Motion JPEG : 1920x1080 / 1280x1024 / 1280x960 / 1280x720 / 1024x768 : Max. 15 fps 800x600 / 800x450 / 720x576 / 640x480 / 640x360 / 320x240 / 320x180 : Max. 30fps
Smart Codec	Manual mode (Area-Based : 5ea), Face detection mode
Video Quality Adjustment	H.264 : Compression level, Target bitrate level control, MJPEG : Quality level control
Bitrate Control Method	H.264 : CBR or VBR, MJPEG : VBR
Streaming Capability	Multiple streaming (Up to 10 Profiles)
Audio Compression Format	G.711 u-law / G.726 Selectable
Audio Communication	G.726 (ADPCM) 8KHz, G.711 8KHz, G.726 : 16Kbps, 24Kbps, 32Kbps, 40Kbps
IP	IPv4, IPv6
Protocol	TCP/IP, UDP/IP, RTP (UDP), RTP (TCP), RTCP, RTSP, NTP, HTTP, HTTPS, SSL/TLS, DHCP, PPPoE, FTP, SMTP, ICMP, IGMP, SNMPv1/v2c/v3 (MIB-2), ARP, DNS, DDNS, QoS, UPnP, Bonjour
Security	HTTPS(SSL) Login Authentication, Digest Login Authentication IP address filtering, User access log, 802.1x Authentication
Streaming Method	Unicast / Multicast
Max. User Access	10 users at Unicast mode
Edge Storage	SD/SDHC/SDXC slot for supporting memory card - motion images recorded in the SD/SDHC/SDXC memory card can be downloaded. NAS(Network Attached Storage)
Application Programming Interface	ONVIF Profile S, SUNAPI 2.0, SVPN 1.2, Wisenet Open Platform
Webpage Language	English, French, German, Spanish, Italian, Chinese, Korean, Russian, Japanese, Swedish, Portuguese, Turkish, Polish, Czech, Dutch, Hungarian, Greek
Web Viewer	Supported OS : Windows 7, 8, MAC OS X 10.7 Supported Browser : Microsoft Internet Explorer (Ver. 11), Mozilla Firefox, Google Chrome, Apple Safari (Ver. 6.0.2(Mac OS X 10.8, 10.7 Only), 5.1.7) * Mac OS X Only
Central Management Software	SmartViewer, SSM
<b>ENVIRONMENTAL</b>	
Operating Temperature / Humidity	-40°C ~ +55°C(-40°F ~ +131°F)
Storage Temperature / Humidity	-45°C ~ +60°C(-49°F ~ +140°F) / Less than 90% RH
Ingress Protection	IP66
Certification	Safety (UL, KC-SDOC), EMC (FCC, CE, VCCI, RCM, KC)
<b>ELECTRICAL</b>	
Power	24V AC / 6A (MAX)
Power Consumption	100W (Heater On), 25W (Heater Off)
<b>EXTERIOR</b>	
Color / Material	White / Aluminum die casting
Dimensions (WxHxD)	219.0 x 460.0 x 528.0mm (8.62" x 18.11" x 20.79")
Weight	14Kg (30.86 lb)

\* The latest product information / specification can be found at [hanwha-security.com](http://hanwha-security.com)

\* Design and specifications are subject to change without notice.

\* Wisenet is the proprietary brand of Hanwha Techwin, formerly known as Samsung Techwin.