

HCZ-6320

2M 32x Analog HD Zoom Camera

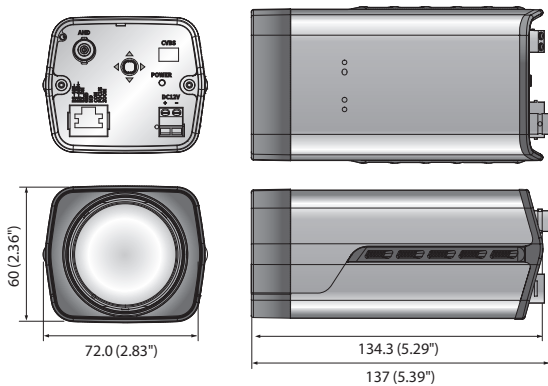


Key Features

- Max. 2Megapixel (1920 x 1080) resolution
- 0.2 Lux@F1.6 (Color), 0.01 Lux@F1.6 (B/W)
- 4.44 ~ 142.6mm (32x) optical zoom, 16x digital zoom
- Day & Night (ICR), WDR (120dB)
- Detection, Tracking, Fixed moved, Tampering support

Dimensions

Unit : mm (inch)



HCZ-6320N/P

VIDEO	
Imaging Device	1/2.8" 2.38M CMOS
Total Pixels	1,952(H) x 1,116(V), 2.18M pixels
Effective Pixels	1,944(H) x 1,104(V), 2.14M pixels
Scanning System	Progressive
Min. Illumination	Color : 0.2 Lux (1/30sec, F1.6) B/W : 0.01 Lux (1/30sec, F1.6)
S / N Ratio	50dB
Video Output	AHD : 1080p, BNC CVBS : SD, DIP connector type
Resolution	1920 x 1080
Max. Frame rate	30fps@1080p 25fps@1080p
LENS	
Focal Length (Zoom Ratio)	4.44 ~ 142.6mm (Optical 32x)
Max. Aperture Ratio	F1.6(Wide) / F4.4(Tele)
Angular Field of View	H : 62.8°(Wide) ~ 2.23°(Tele) / V : 36.8°(Wide) ~ 1.26°(Tele)
Min. Object Distance	Wide : 1.5m (4.92ft), Tele : 2m (6.56ft)
Focus Control	Auto / Manual / One push
Lens / Mount Type	DC Auto Iris / Board-in Type
PAN / TILT / ROTATE	
Preset	255ea
OPERATIONAL	
On Screen Display	Multi-language Support (9) English, Japanese, Spanish, French, Portuguese, Korean, German, Italian, Russian
Camera Title	Off / On (Displayed up to 15 characters)
Day & Night	Auto (ICR) / Color / B/W / External
Backlight Compensation	Off / BLC / HLC / WDR
Wide Dynamic Range	120dB
Contrast Enhancement	SSDR (Off / On)
Digital Noise Reduction	SSNR III (2D + 3D Noise filter) (Off / On)
Digital Image Stabilization	Off / On
Defog	Off / Auto / Manual
Motion Detection	Off / On (4ea rectangle zone)
Privacy Masking	Off / On (12 zones of rectangle zone)
Gain Control	Off / Low / Middle / High
White Balance	ATW / AWC / Manual / Indoor / Outdoor / Mercury / Sodium
Electronic Shutter Speed	Minimum / Maximum / Anti Flicker (2 ~ 1/33,000sec)
Digital Zoom	16x
Flip / Mirror	Off / On
Intelligent video analytics	Detection, Tracking, Fixed moved, Tampering
Remote Control Interface	RS-485, Coaxial
Protocol	RS-485 : Samsung-T/E, Pelco-D/P, Panasonic, Bosch, AD, Vicon, Honeywell Coaxial : ACP (AHD Coax Protocol)
ENVIRONMENTAL	
Operating Temperature / Humidity	-10°C ~ +55°C (+14°F ~ +131°F) / Less than 90% RH
ELECTRICAL	
Input Voltage / Current	12V DC
Power Consumption	Max. 6W
MECHANICAL	
Color / Material	Dark Gray / Metal
Dimensions (WxHxD)	72.0 x 60 x 137mm (2.83" x 2.36" x 5.39")
Weight	476g (1.05 lb)

* The latest product information / specification can be found at hanwha-security.com
* Design and specifications are subject to change without notice.